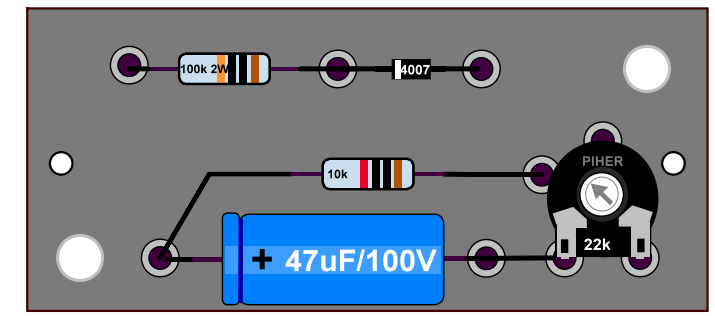
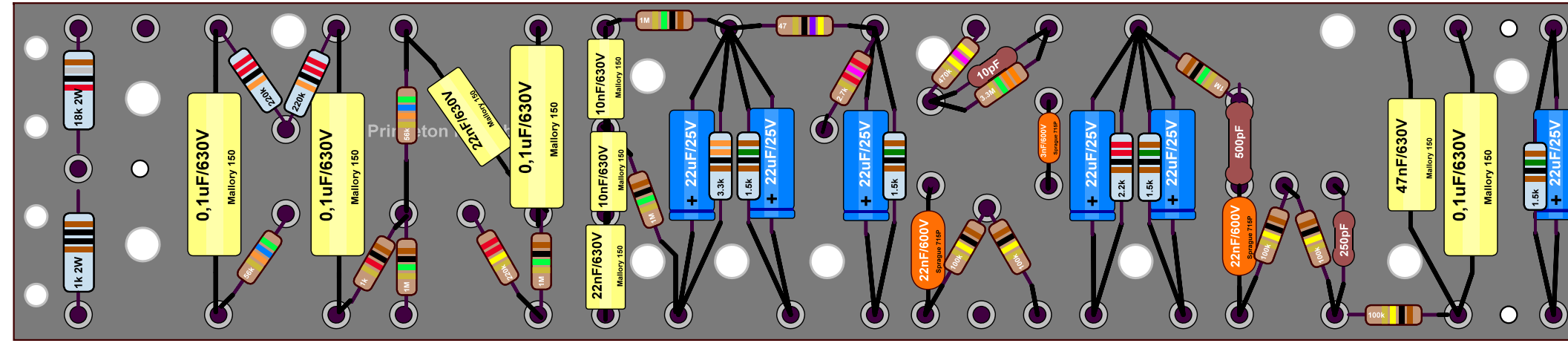
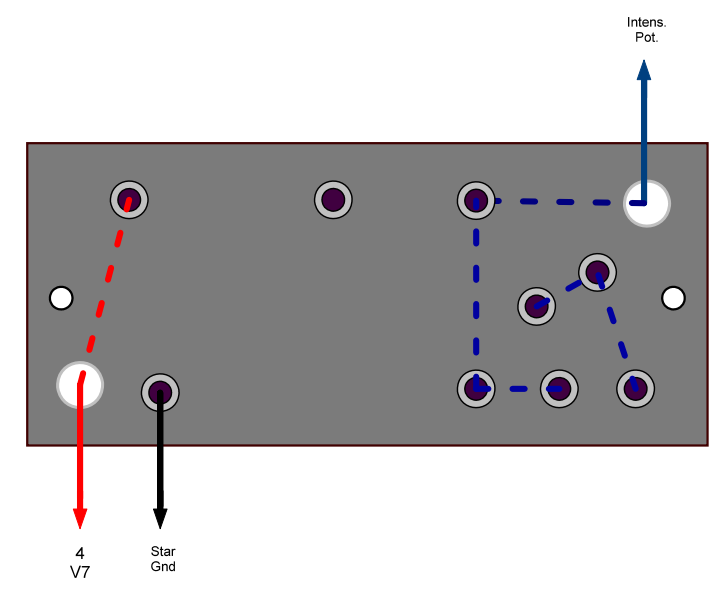
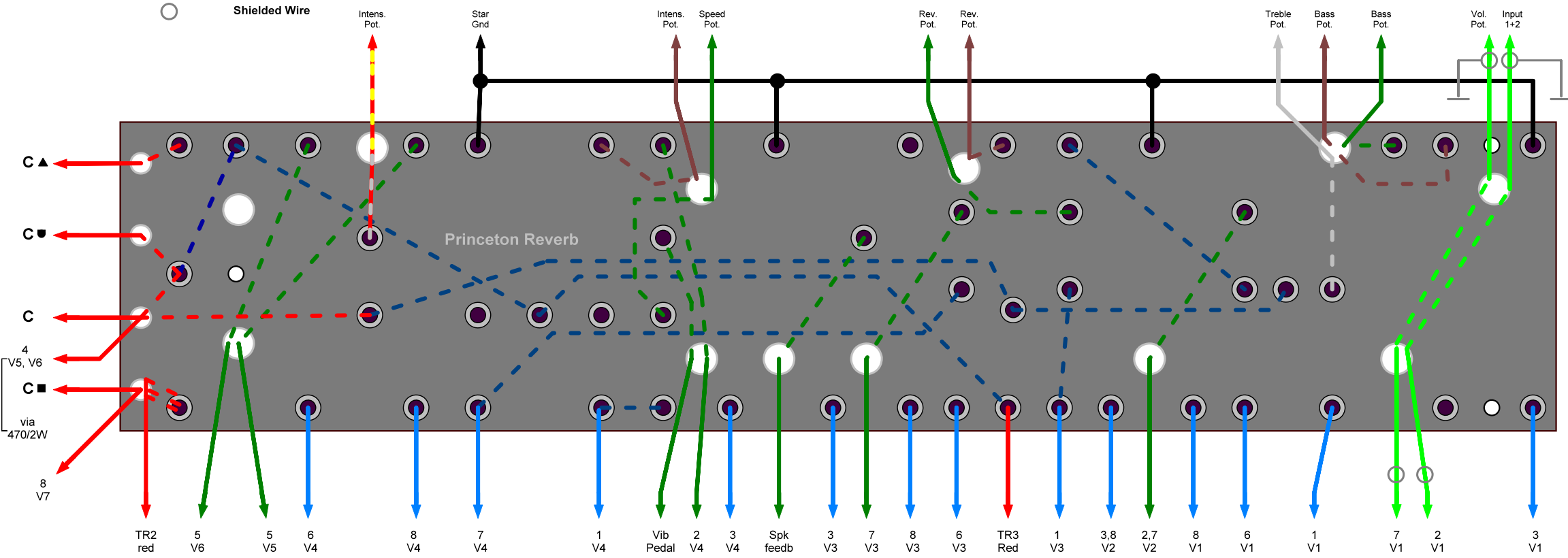


- Turret or rivet
- Cable outlet
- Mounting hole



- Metal Film Resistor
- Carbon Comp. Resistor
- Shielded Wire



Princeton Reverb Amp Clone (AA1146)			
Sheet	Turret-Boards		
Code BB2008	Document princeton_reverb_docs_new.sp17	Rev. A5	
Date 25.10.2013	Last edit 10:06:41	Sheet	2 of 3